

# MARANELLO<sup>®</sup>

Racing Kart



# 2023

## LISTA DE PRECIOS

Tfnos: 948 469 099  
649 963 899  
630 444 740



[www.solokarting.com](http://www.solokarting.com)

## PIASTRE MOTORE - ENGINE MOUNT



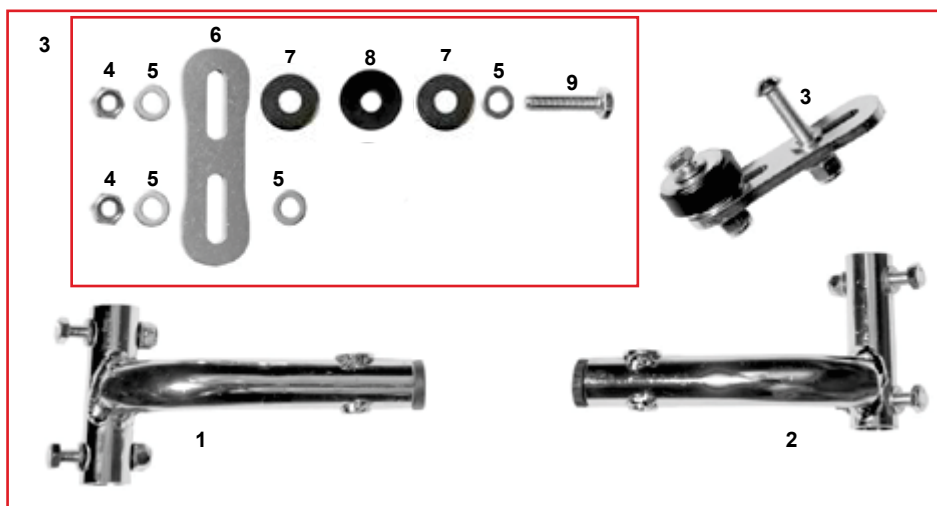
ES	COD.	DESCRIZIONE	DESCRIPTION	€
1	FFN.01332	Piastra motore 28 mg forata CRG	Engine mount magn. 28 CRG	74,70
1	FFN.00899	Piastra motore 30 mg forata CRG	Engine mount magn. 30 CRG	74,70
1	FFN.00072	Piastra motore 32 mg forata CRG	Engine mount magn. 32 CRG	74,70
2	FFN.01332NOFORI	Piastra motore 28 mg no fori Rotax-X30	Engine mount no holes magn. 28 Rotax-X30	74,70
2	FFN.00899NOFORI	Piastra motore 30 mg no fori Rotax-X30	Engine mount no holes magn. 30 Rotax-X30	74,70
3	KF.MG.IAME	Piastra motore OK forata lame	Engine mount OK for lame	118,50
4	SZ0.03263	Supporto motore posteriore DD2 30+2	Rear DD2 engine mount 30+2	13,40
4	SZ0.03264	Supporto motore posteriore DD2 32+2	Rear DD2 engine mount 32+2	13,40
	FK0.03264	Supporto motore post. compl. DD2 32+2	Rear DD2 engine mount complete 32+2	16,50
5	FL1.01437	Cavallotto motore Comer all.	Engine mount alu. Comer	13,60
6	FBN.01675	Cavallotto motore ferro 30	Engine iron clamp 30	23,90
6	SZ0.01674	Cavallotto motore ferro 32	Engine iron clamp 32	23,90
7	SZ0.00974	Piastrina sottomotore DD2	Engine mount plate DD2	7,00
8	SAN.02884	Cavallotto motore DD2 30 all.	Engine mount clamp DD2 30 alu.	21,40
8	SAN.02885	Cavallotto motore DD2 32 all.	Engine mount clamp DD2 32 alu.	21,40
9	FFN./0900	Cavallotto motore 30 mg sm	Engine mount clamp sm magn. 30	23,90
10	FFN./0074	Cavallotto motore 32 mg sm	Engine mount clamp sm magn. 32	23,90
11	AFN.00279	Vite M10x40 cilindrica	M 10x40 socket head screw	0,60
12	AFN.04565	Vite M10x35 cilindrica	M 10x35 socket head screw	0,30
13	AFN.02844	Vite M10x25 cilindrica	M 10x25 socket head screw	0,90

## SUPPORTI - SUPPORTS

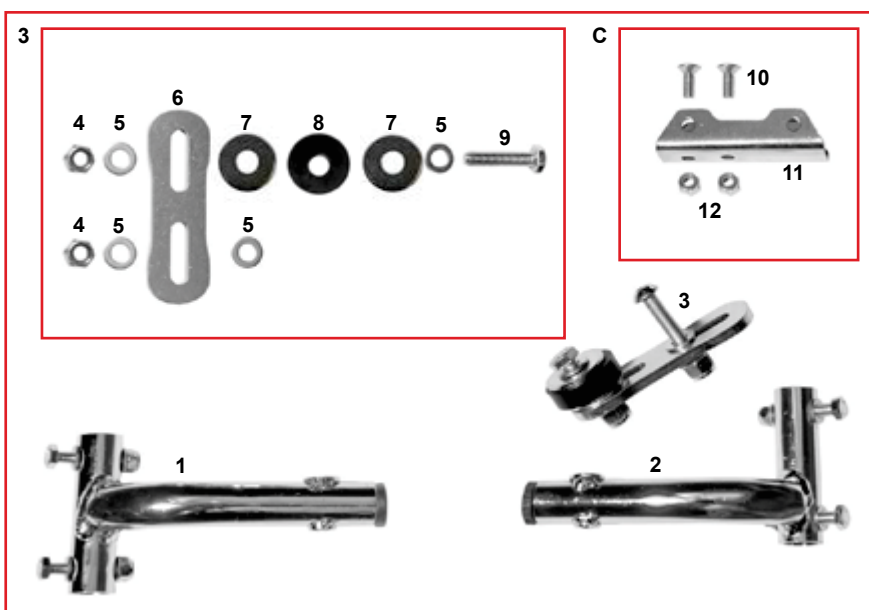


ES	COD.	DESCRIZIONE	DESCRIPTION	€
1	FM0.02193	Culla marmitta mini completa	Exhaust cradle mini complete	30,20
	SZ0.00123	Culla marmitta	Exhaust cradle	23,30
	AFS.00088	Gommino culla marmitta	Exhaust cradle rubber	2,20
	SZ0.00122	Molla culla marmitta 10,5 std	Exhaust cradle spring 10,5 std	3,10
	AFN.00125	Rondella 10,5-30x2,5	Washer 10,5-30x2,5	0,20
	AFN.00127	Vite M 8x55 bombata	M 8x55 convex head screw	0,80
	AFN.00128	Dado M 8 autobloccante alto	Nut M 8 high self-locking	0,20
	AFN.00350	Rondella 8,5-16x1,5	Washer 8,5-16x1,5	0,10
	AFN.02098	Vite M 8x45 bombata	M 8x45 convex head screw	0,60
2	FM0.00121	Supporto culla marmitta DD completo	Exhaust cradle support DD complete	37,60
3	FAN.00983	Piastra estensione culla	Exhaust cradle extension	19,00
4	SZ0.01537	Piastrina supporto marmitta curva	Exhaust support (curved)	7,00

A



B

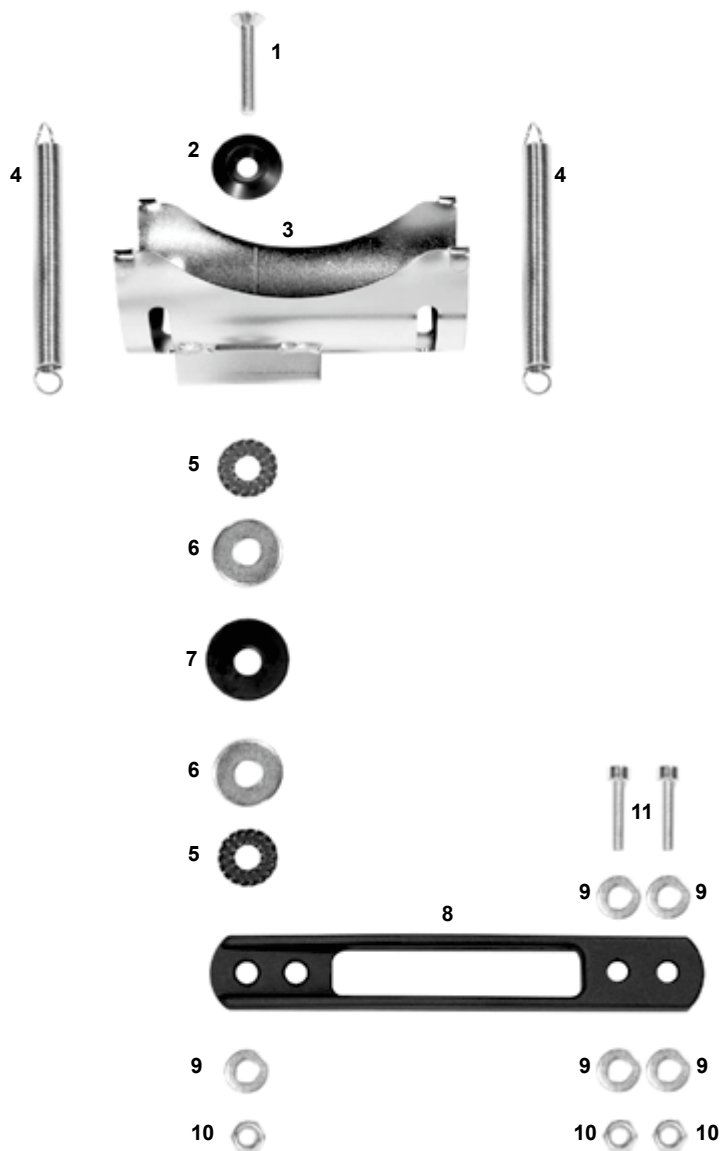


D



ES	COD.	DESCRIZIONE	DESCRIPTION	€
A	FM0.01824	Supporto marmitta Rotax new completo	Rotax exhaust support complete	79,30
B	FM0.01994	Supporto marmitta Rotax mini completo	Complete Rotax exhaust support/straight	107,70
C	FK0.01823	Attacco supporto marmitta completo	Exhaust support clamp complete	14,60
D	FKN.05121	Kit supporti marmitta DD2 Ø30	Exhaust support kit DD2 Ø30	41,80
	FKN.05122	Kit supporti marmitta DD2 Ø32	Exhaust support kit DD2 Ø32	41,80
	FKN.05617	Kit supporti marmitta DD2 Ø30/32	Exhaust support kit DD2 Ø30/32	41,80
1	FM0.1824S	Supporto marmitta sx freno comp.	Exhaust support lf brake side compl.	36,50
2	FM0.1824D	Supporto marmitta dx motore comp.	Exhaust support rh engine compl.	36,50
3	FK0.01994	Kit piastrina marmitta Rotax dx-sx	Exhaust support Rotax mini kit L/R	10,80
4	AFN.00128	Dado M8 autoblock alto	Nut M8 high self-locking	0,20
5	AFN.00350	Rondella 8,5-16x1,5	Washer 8,5-16x1,5	0,10
6	SZ0.01535	Piastrina supporto marmitta Rotax	Exhaust support Rotax	4,90
7	AFN.00125	Rondella 10,5-30x2,5	Washer 10,5-30x2,5	0,20
8	AFS.00088	Gommino culla marmitta	Exhaust cradle rubber	2,20
9	AFN.00910	Vite M 8x40 esagonale	M 8x40 hexagonal head screw	0,60
10	TSV.06X014	Vite M 6x14 svasata	M 6x14 countersunk head screw	0,20
11	FC0.01823	Attacco supporto marmitta Rotax crom.	Exhaust support Rotax rh	13,70
12	AFN.00264	Dado M 6 autoblock alto	Nut M 6 high self-locking	0,10

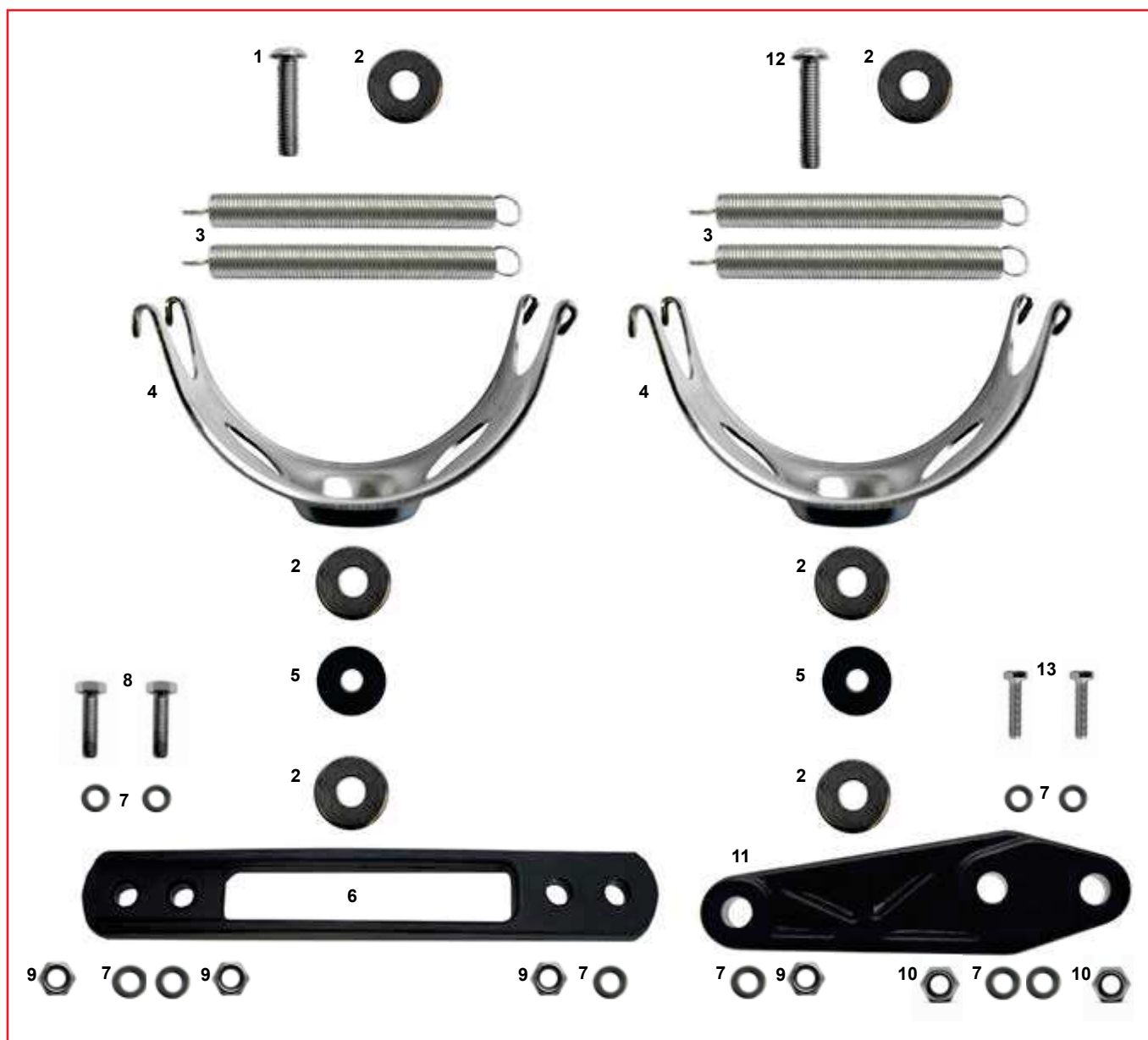
A



ES	COD.	DESCRIZIONE	DESCRIPTION	€
A	FM0.02890	Supporto marmitta KZ completo	Exhaust support KZ complete	62,90
1	AFN.00291	Vite M 8x45 svasata	M 8x45 countersunk head screw	0,60
2	FAN.00260	Rondella 8 sedile all. nera	Alu. seat washer 8 black	3,70
3	SC0.02890	Culla marmitta D100 KZ	Exhaust cradle D100 KZ	29,00
4	SZ0.00122	Molla culla marmitta 10,5 std	Exhaust cradle spring 10,5 std	3,10
5	AFN.00541	Rondella 10-26 dentellata int./est.	Cog washer 10-26 int./ext.	0,10
6	AFN.00125	Rondella 10,5-30x2,5	Washer 10,5-30x2,5	0,20
7	AFS.00088	Gommino culla marmitta	Exhaust cradle rubber	2,20
8	SAN.02857	Supporto culla silenziatore	Exhaust cradle support black	25,00
9	AFN.00350	Rondella 8,5-16x1,5	Washer 8,5-16x1,5	0,10
10	AFN.00160	Dado M 8 autoblock basso	Nut M 8 low self-locking	0,10
11	AFN.00827	Vite M 8x30 cilindrica	M 8x30 socket head screw	0,30
12	AML.02932	Deviatore gas scarico	Exhaust silencer deflector	8,10
13	AML.02933	Supporto deviatore gas scarico	Silencer deflector support	10,80



A



ES	COD.	DESCRIZIONE	DESCRIPTION	€
A	FM0.03741	Supporto marmitta KZ completo	Exhaust support KZ complete	98,40
1	AFN.00266	Vite M 8x40 bombata	M 8x40 convex head screw	0,70
2	AFN.00125	Rondella 10,5-30x2,5	Washer 10,5-30x2,5	0,20
3	SZ0.00122	Molla culla marmitta 10,5 std	Exhaust cradle spring 10,5 std	3,20
4	SZ0.00123	Culla marmitta	Cradle spring	23,30
5	AFS.00088	Gommino culla marmitta	Exhaust cradle rubber	2,20
6	SAN.02857	Supporto culla silenziatore	Exhaust cradle support black	25,00
7	AFN.00350	Rondella 8-16x1,5	Washer 8-16x1,5	0,10
8	AFN.00307	Vite M 8x30 esagonale	M 8x30 hexagonal head screw	0,30
9	AFN.00128	Dado M 8 autoblock alto	Nut M 8 high self-locking	0,20
10	AFN.00160	Dado M 8 autoblock basso	Nut M 8 low self-locking	0,10
11	FAN.00983	Piastra estensione culla	Extension for cradle	19,00
12	AFN.02098	Vite M 8x45 bombata	M 8x45 convex head screw	0,60
13	AFN.00349	Vite M 8x35 esagonale	M 8x35 hexagonal head screw	0,60